

GEP PUMP CONTROLLERS

Pressure-dependent switching on and off of pumps



rethinking water



GEP KIT POMPDRUKBESTURING MET CONTACTDOOS

GEP Kit Pump pressure control with socket is an electronic pressure control for pumps. The pressure control switches the pump below the pressure level of 1.5 bar. The flow sensor switches the pump off again.

The GEP Kit is equipped with an integrated socket where the plug of the pump must be plugged. A dry-running protection is installed in the pressure control system to protect the pump against overheating. The pressure switch is also equipped with a manometer to read the current pressure.



DRUKBESTURING MET INSTELBARE INSCHAKELDRUK

Kit-I Pressure control with adjustable cut-in pressure is an electronic pressure control for pumps. The switch-on pressure can be adjusted from 1.5 bar to 2.5 bar by means of a screw. The flow sensor switches the pump off again. A dry-running protection is installed in the pressure control system to protect the pump against overheating.

The software of the pressure control is equipped with an auto correction mode. When the pump runs dry, the control unit attempts to restart the pump automatically at set times. The pressure switch is also equipped with a manometer to read the current pressure.



GEP HIGH-END KIT

The program of the GEP High-End Kit is written for a single pump. Control of the pump is based on two different options of modality:

- pressure dependent
- pressure & current-dependent

A big advantage of the High-End Kit is the adjustable on and off pressure. The control determines the running time of the pump depending on the detected pressure via the internal pressure sensor and / or the current detected by the flow sensor. The system can therefore run in a pressure-dependent mode (adjustable on and off pressure) or on / off mode (start based on cut-in pressure and shutdown by the flow sensor, noflow). The GEP High-End Kit is equipped with an LCD display for very user-friendly operation of the software.

TECHNICAL DATA

	Kit	Kit-I	High-End Kit
Type of pressure control:	Kit	Kit-I	High-End Kit
Length L in mm:	258	152	195
Width B in mm:	176	211	231
Depth D in mm:	123	150	178
Connection IN:	1" bu	1" bu	1 1/4" bu
Connection OFF:	1" bu	1" bu	1 1/4" bu
Switch-on pressure in Bar:	1.5	1.5 tot 2.5	1 tot 5

TECHNICAL SPECIFICATIONS

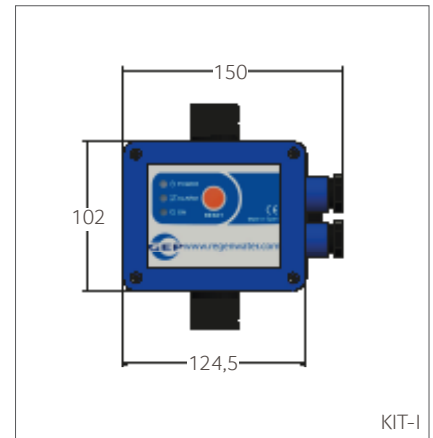
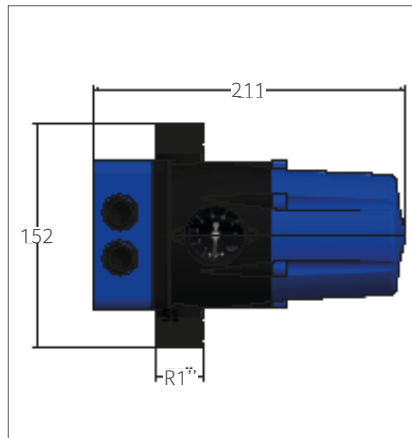
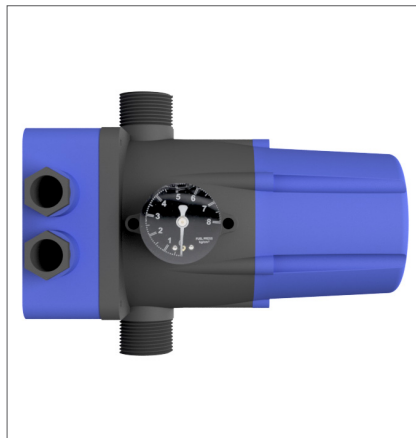
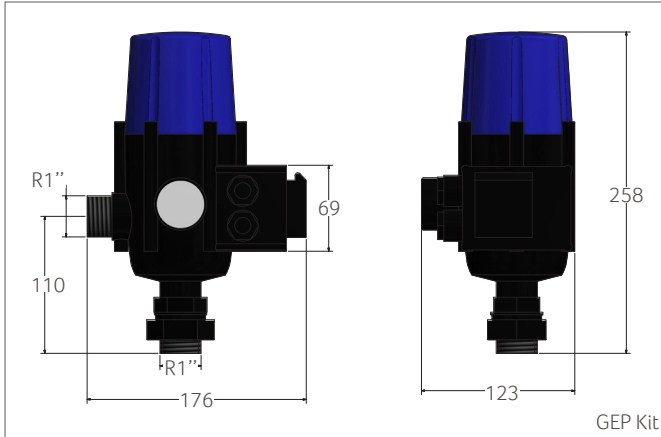
	Kit	Kit-I	High-End Kit
Type of pressure control:	Kit	Kit-I	High-End Kit
Maximum Power in Watt:	1.500	2.200	2.200
Protection class:	IP 44	IP 65	IP 55
Max. busy in bar:	10	10	10
Weight in kg:	1.15	1,35	3.3
Temperature in ° C:	0-60	0-60	0-40
Max flow rate in l / min:	166	166	250



GEP PUMP CONTROL

Pressure-dependent switching on and off of pumps

TECHNICAL DRAWINGS



ORDERING INFORMATION

Art nr	NAME	PG
402259	GEP Kit Pump pressure control with socket	1
409247	Kit-I Pressure control with adjustable cut-in pressure 1.5-2.5 bar	1
402271	GEP High-End Kit	1